

Over 5000 VXI cards and mainframes in stock. 1000's of pieces of Test Equipment in stock.



Looking for Test Equipment?  
Visit us on the web at  
[www.recycledequipment.com](http://www.recycledequipment.com)

Recycled Equipment buys, sells, and repairs VXI cards, VXI mainframes and Test Equipment. We have tens of thousands of pieces of Electronic Test Equipment and one of the worlds largest selections of VXI cards. We have VXI cards by almost every manufacture; from Agilent to Ziatech. **Every item on our website is IN STOCK and ready to ship with in 24 hours.**

### **Sell your equipment for cash**

Recycled Equipment is interested in buying your surplus equipment! Call us today at **(410)685-1997** or email to **recycled@usimperio.com**

### **Sell your equipment on consignment**

Recycled Equipment can sell your equipment on consignment. This allows you to get retail prices for your equipment with out the hassle.

**(410)685-1997 sales@recycledequipment www.recycledequipment.com**

# 7703

## 32-Channel, High-Speed, Differential Multiplexer Module

- 32 channels for general purpose measurements
- Relay actuation time of less than 1ms for high-speed scanning
- Two- or four-wire measurement
- Two 50-pin female D-sub connectors are standard for secure hook-up and quick teardown

### Ordering Information

**7703 32-Channel, High-Speed, Differential Multiplexer Module**

### Accessories Supplied

Two mating connectors with solder cup (Model 7788)



The Model 7703 plug-in module offers 32 channels of 2-pole or 16 channels of 4-pole multiplexer switching that can be configured as two independent banks of multiplexers. The non-latching reed relays provide high speeds and are designed for 300 volt, 500mA; 10VA. The relay closures are stored in onboard memory. The Model 7703 is ideal for RTD and thermistor temperature applications.

### CAPABILITIES

**CHANNELS 1–32:** Multiplex one of 32 2-pole or one of 16 4-pole signals into DMM.

### INPUTS

#### MAXIMUM SIGNAL LEVEL:

**Channels (1–32):** 300V DC or rms, 0.5A switched, 10W maximum.

**Contact Life (typ):** >5×10<sup>4</sup> operations at max signal level.  
>10<sup>8</sup> operations cold switching.

**CONTACT RESISTANCE:** <1Ω at end of contact life.

#### CONTACT POTENTIAL:

<±3μV typical per contact, 6μV max.  
<±3μV typical per contact pair, 6μV max.

**OFFSET CURRENT:** <100pA.

**CONNECTOR TYPE:** 50 pin D-sub ×2.

**RELAY DRIVE CURRENT:** 20mA per channel.

**ISOLATION BETWEEN ANY TWO TERMINALS:** >10<sup>9</sup>Ω, <200pF.

**ISOLATION BETWEEN ANY TERMINAL AND EARTH:** >10<sup>9</sup>Ω, <400pF.

**CROSS TALK (1 MHz, 50Ω Load):** <-40dB.

**INSERTION LOSS (50Ω Source, 50Ω Load):** <0.35dB below 1MHz. <3dB below 2MHz.

**COMMON MODE VOLTAGE:** 300V between any terminal and chassis.

### GENERAL

**32 CHANNELS:** 32 channels of 2-pole relay input.  
All channels configurable to 4-pole.

**RELAY TYPE:** Reed.

**ACTUATION TIME:** <1ms.

**FIRMWARE:** Specified for Model 2700 rev. A01, 2701 rev. A01, and 2750 rev. A01 or higher.

### ENVIRONMENTAL

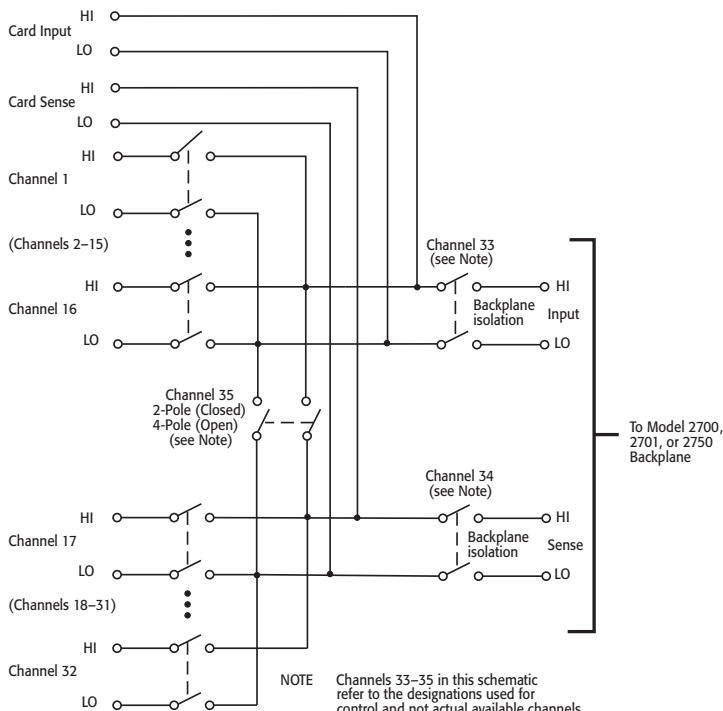
**OPERATING ENVIRONMENT:** Specified for 0°C to 50°C.  
Specified to 80% R.H. at 35°C.

**STORAGE ENVIRONMENT:** -25°C to 65°C.

**WEIGHT:** 0.8kg (1.75 lbs).

### ACCESSORIES AVAILABLE

7705-MTC-2 50 Pin Male to Female DSUB Cable, 2m (6.6 ft).



For more information, refer to the ROUTE:MULT command section in the Model 2700, 2701, or 2750 User's Manual.

1.888.KEITHLEY (U.S. only)

[www.keithley.com](http://www.keithley.com)

**KEITHLEY**

A GREATER MEASURE OF CONFIDENCE

Recycled Equipment (410)685-1997 [www.recycledequipment.com](http://www.recycledequipment.com) email: [sales@recycledequipment.com](mailto:sales@recycledequipment.com)