

Over 5000 VXI cards and mainframes in stock. 1000's of pieces of Test Equipment in stock.



Looking for Test Equipment?  
Visit us on the web at  
[www.recycledequipment.com](http://www.recycledequipment.com)

Recycled Equipment buys, sells, and repairs VXI cards, VXI mainframes and Test Equipment. We have tens of thousands of pieces of Electronic Test Equipment and one of the worlds largest selections of VXI cards. We have VXI cards by almost every manufacture; from Agilent to Ziatech. **Every item on our website is IN STOCK and ready to ship with in 24 hours.**

### **Sell your equipment for cash**

Recycled Equipment is interested in buying your surplus equipment! Call us today at **(410)685-1997** or email to **recycled@usimperio.com**

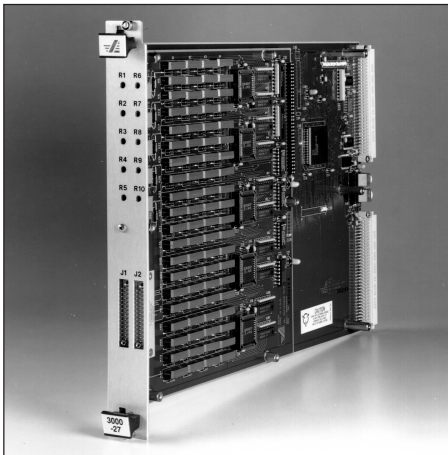
### **Sell your equipment on consignment**

Recycled Equipment can sell your equipment on consignment. This allows you to get retail prices for your equipment with out the hassle.

**(410)685-1997 sales@recycledequipment www.recycledequipment.com**

# MODEL 3000-27

## ASCOR Model 3000-27 Programmable Resistor



**ASCOR's Model 3000-27 single-slot, multi-channel Programmable Resistor is the industry's highest density, most comprehensively shielded VXI resistor module. Its up to 10 individually programmable and shielded channels provide 5 times the capacity of other leading single-slot resistor modules – making it the most flexible, cost-effective choice for high performance resistance simulation and sourcing applications.**

- From 20 Ohms to 1.31 MegaOhms per Channel
- Programmable in 20 Ohm Increments (variable steps are optionally available)
- 65,536 Programmable steps
- Up to 1,000 Value Changes per Second
- Each Channel Has Own Isolated Ground

### Vast Flexibility In A Single Module

ASCOR has designed the industry's quietest, most flexible high performance Programmable Resistor module – packing up to 10 individually programmable channels in a single VXI slot, and providing up to 1.31 MegaOhms of resistance in each channel, programmable in 20 Ohm increments. The Model 3000-27 can flexibly and accurately simulate resistance values, or act as an ultra-quiet resistance source.

### Quiet Performance

In addition to this industry-leading high density, each of the Model 3000-27's register channels has its own isolated ground. And each relay is completely shielded from system noise. This adds up to the quietest solution available to ensure accurate results.

### Common Sense Design For Uncommon Results

The Model 3000-27 is designed to avoid complex programming.

The 16 bit register aligns with 16 resistors per channel, making it easy to establish desired resistance into a register value.

In addition, because the Model 3000-27 is register-based, instead of message, actions are controlled at VXI-bus speeds – supporting up to 1,000 value changes per second, per channel – the highest performance available.

### "Offset" Resistor

The Model 3000-27 also provides space on each channel for users to place their own offset resistors or potentiometers, each on their own tap. Offset resistors allow users to maintain a fixed minimum value.

### Expandable

The Model 3000-27 can also expand in increments of 5 resistor channels by adding 5 channel daughter boards. The optional 15 channel version and optional 20 channel version requires 2 slots.

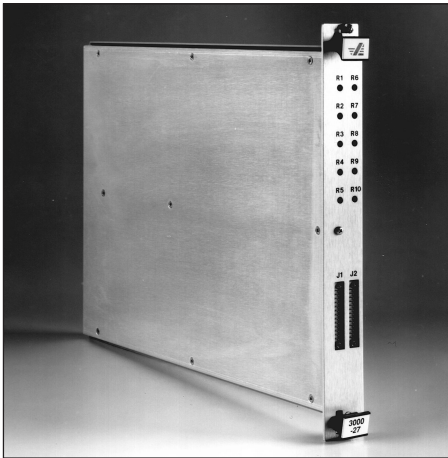


A Giga-tronics Company

Recycled Equipment (410)685-1997 [www.recycledequipment.com](http://www.recycledequipment.com) email: [sales@recycledequipment.com](mailto:sales@recycledequipment.com)

# MODEL 3000-27

## ASCOR Model 3000-27 Programmable Resistor



ASCOR's Model 3000-27 provides up to 10 individually programmable channels in a single VXI slot.

### Self Testing

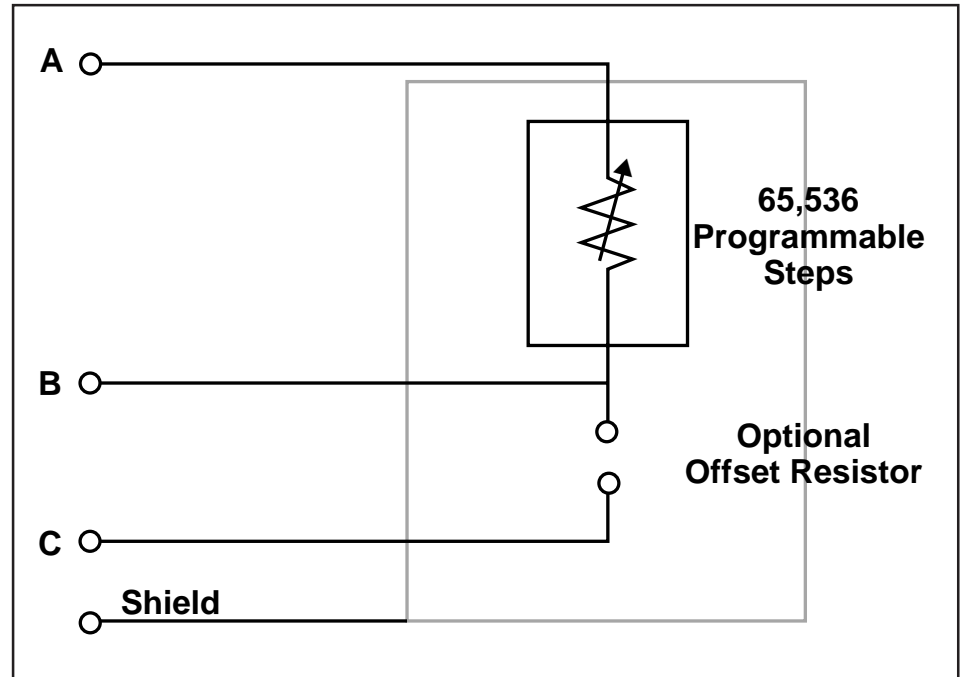
Like all ASCOR VXI Modules, the Model 3000-27 incorporates internal self test hardware which includes the ability to test, read back and verify the integrity of the program control circuitry, including the relay coils within the Module.

All ASCOR VXI Modules also feature a unique built-in service record, for tracking repairs to the Module by time and date the repair was actually performed.

ASCOR also provides a 3 year limited warranty on all VXI Modules.

### Quiet Ideas. Powerful Solutions.

ASCOR, founded in 1987 and headquartered in California's Silicon Valley, provides a complete line of VXI Switching and Digital Modules for industrial, medical, scientific and governmental automatic test applications. ASCOR VXI products are the quietest, cleanest, highest density VXI modules commercially available.



ASCOR's Model 3000-27 is the most comprehensively shielded VXI resistor module available.

### Specifications

#### Number of Channels:

Base module up to 10  
(5 on the motherboard,  
5 on a daughter board)

#### Expandable:

In 5 channel increments by adding additional daughter boards.

#### Minimum Resistance Output:

20 Ohms

#### Maximum Resistance Output:

1,312,212 Ohms (1.31 MegaOhms)

#### Resistance Steps:

20 Ohms (standard); variable steps optionally available

#### Wattage:

Standard 1/4 watt per channel (RN55 Series)

Optional: High precision resistors available i.e. VISHAY S105D series

#### Number of Steps:

65,536 programmable

#### Programming Speed:

1,000 value changes per second per channel

#### Resistance Accuracy:

+ or - 1%

#### Connectors:

Airborn - WTB26PR7J

Mating Connector - WTAX26SACJT

#### Environmental Specifications

##### ■ Temperature

- Operating: 0° to 55° C

- Storage: -40° to 75° C

##### ■ Relative Humidity

- Operating: 10 to 90%

non-condensing

- Storage: 0 to 95%

non-condensing

**CE** The CE Mark indicates that the product has completed and passed rigorous testing in the area of RF Emissions, Immunity to Electromagnetic Disturbances and complies with European electrical safety standards.

Distributor Information:



A Giga-tronics Company

4384 Enterprise Place, Fremont, CA 94538

Telephone: (510)490-2300, Fax: (510)490-8493, Website: www.ascor-inc.com

©1998 ASCOR Incorporated. Specifications are subject to change without notice. 5/98

Recycled Equipment (410)685-1997 [www.recycledequipment.com](http://www.recycledequipment.com) email: [sales@recycledequipment.com](mailto:sales@recycledequipment.com)