

Over 5000 VXI cards and mainframes in stock. 1000's of pieces of Test Equipment in stock.



Looking for Test Equipment?
Visit us on the web at
www.recycledequipment.com

Recycled Equipment buys, sells, and repairs VXI cards, VXI mainframes and Test Equipment. We have tens of thousands of pieces of Electronic Test Equipment and one of the worlds largest selections of VXI cards. We have VXI cards by almost every manufacture; from Agilent to Ziatech. **Every item on our website is IN STOCK and ready to ship with in 24 hours.**

Sell your equipment for cash

Recycled Equipment is interested in buying your surplus equipment! Call us today at **(410)685-1997** or email to **recycled@usimperio.com**

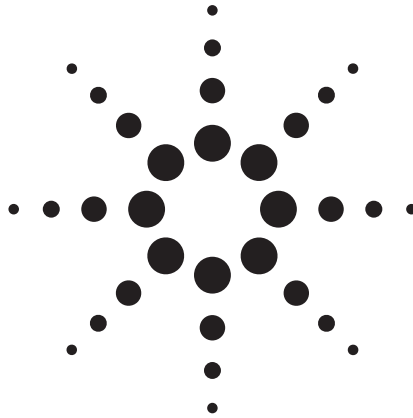
Sell your equipment on consignment

Recycled Equipment can sell your equipment on consignment. This allows you to get retail prices for your equipment with out the hassle.

(410)685-1997 sales@recycledequipment www.recycledequipment.com

Agilent 11713A Attenuator/Switch Driver

Configuration Guide



This configuration guide will help you through the process of configuring a switching system utilizing Agilent's 11713A attenuator/switch driver.

The 11713A is capable of driving up to ten switch or attenuator sections. It drives with steady-state 24 Vdc and is compatible with any switch or attenuator that requires +24 Vdc common, with ground for individual line activations. Switch and attenuator control can be accomplished manually from the front panel push-buttons or automatically over the GPIB interface bus. For applications requiring more than ten pairs of drivelines, multiple 11713A may be used. Each 11713A comes equipped with two plug-in drive cables for driving attenuators. A variety of other cables are also available.

Contact your Agilent representative at the offices listed on the back page of this guide if you need more information.



Agilent Technologies

Specifications

Table 1. 11713A attenuator/switch driver specifications and supplemental characteristics

Specifications	
Driver power supply	
Voltage	+24 ±2.0 Vdc
Current	1.3 A maximum peak for 1 second
	0.65 A maximum continuous current
	Contact pairs 1 through 8, 9 and 0, maximum current of 0.65 A continuous through one or all contacts
Supplemental Characteristics	
Power	100 or 120 Vac, +5%, -10% at 48 to 440 Hz
	200 or 240 Vac, +5%, -10% at 48 to 66 Hz
	80 VA maximum
Response time	10 µs maximum for contact pairs 1 through 8
	20 ms maximum for contact pairs 9 and 0
Driver life	> 2,000,000 switchings at maximum current for contact pairs 9 and 0
Maximum load inductance	500 mH
Maximum load capacitance	< 0.01 µF for contact pairs 9 and 0
Net weight	4.1 kg (9 lbs)
Dimensions	Height: 102 mm (4 inches including feet)
	Rack height: 89 mm (3.5 inches, half-width module)
	Width: 213 mm (8.4 inches)
	Depth: 295 mm (11.6 inches)

Selection Options

Agilent 11713A attenuator/switch driver include:

Return-to-Agilent warranty and service plans extendable to three years and covers power cords.

Agilent 11713A attenuator/switch driver options:

(One of the following options is required)

Option 001 – Viking connector to 10-pin DIP plug; quantity (2).
Agilent 11764-60004

Option 101 – Viking to Viking drive cables; quantity (2).
Agilent 8120-2703

Available cable accessories:

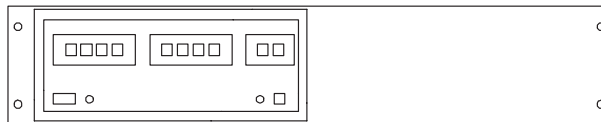
Agilent 11761A – Viking connector to four ribbon cables; connects up to four switches.

8120-2178 – 9-pin conductor cable, to Viking connector (for four switches), 60 inches long

5061-0969 – 12-pin conductor cable, bare wire to Viking connector (for five switches), 60 inches long

Available rack mount kit accessories:

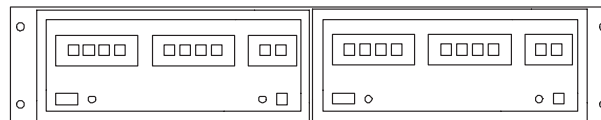
5063-9240 – Kit rack adapter to mount a single instrument



To mount two instruments side-by-side, order

5061-9694 – Lock link kit and

5063-9212 – Rack mount flange kit



Cable Drawings Available for Agilent 11713A Attenuator/ Switch Driver

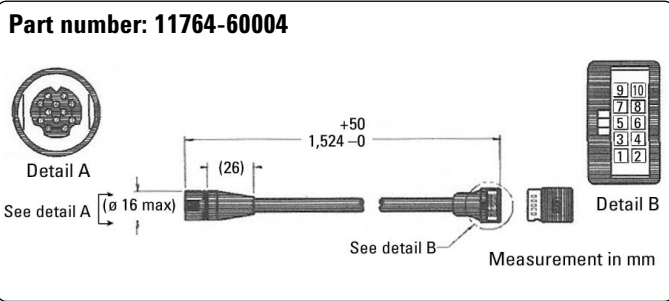


Figure 1. 11764-60004 Viking connector to 10-pin DIP plug

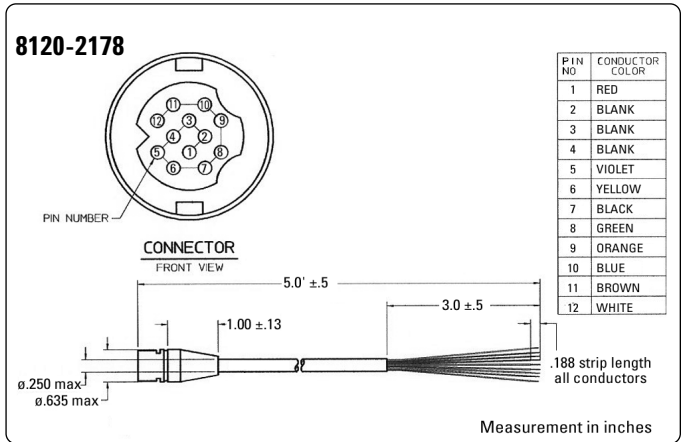


Figure 4. 8120-2178 9-pin conductor cable, to Viking connector (for four switches), 60 inches long

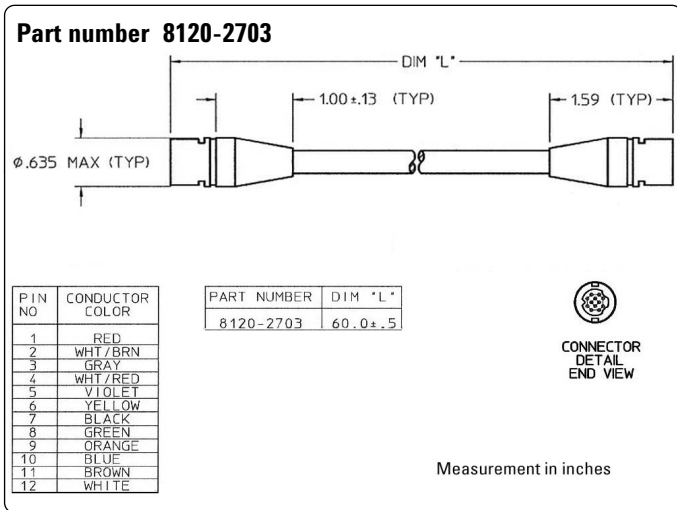


Figure 2. 8120-2703 Viking to Viking drive cables

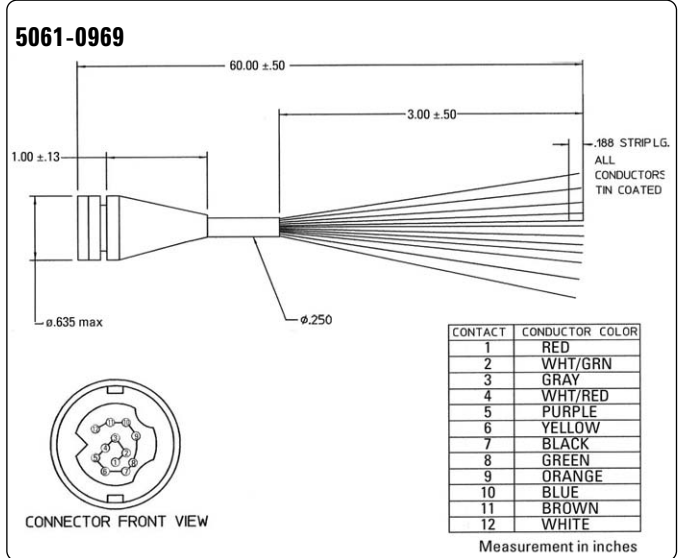


Figure 5. 5061-0969 12-pin conductor cable, bare wire to Viking connector (for five switches), 60 inches long

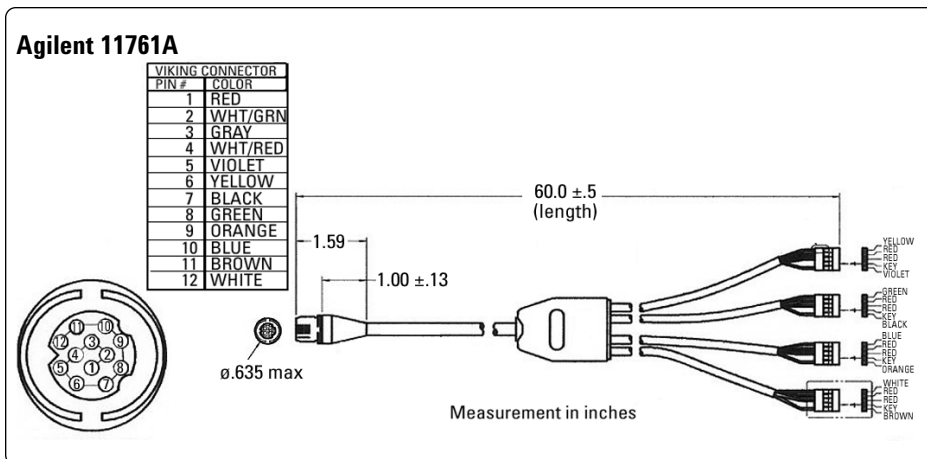


Figure 3. 11761A Viking connector to four ribbon cables to connect up to four switches

Compatible Attenuators and Switches

The 11713A attenuator/switch driver is designed to drive the following Agilent attenuators and switches.

Table 2. Compatible Agilent switches

Agilent product number	Table reference	Switch family	Cables supplied with switch
8761B	4	SPDT	NA
8762A/B/C/F	5	SPDT	NA
8763A/B/C	5	Bypass	NA
8764A/B/C	5	Bypass	NA
8765A/B/C/D/F	6	SPDT	33314-60006
87104A/B/C	7	Multiport	1253-5524 and 8120-1869
87204A/B/C	8	Multiport	1253-5524 and 8120-1869
87106A/B/C	9	Multiport	1253-5524 and 8120-1869
87406B	9	Matrix	1253-5524 and 8120-1869
87206A/B/C	10	Multiport	1253-5524 and 8120-1869
87606B	10	Matrix	1253-5524 and 8120-1869
8766K, 8767K, 8768K	11	Multiport	Option 016: 5062-0703 or Option 060: 8120-2178
8769K	12	Multiport	Option 016: 5061-0958 or Option 060: 5061-0969
8767M	13	Multiport	11764-60004 (optional)
8768M	13	Multiport	11764-60004 (optional)
8769M	14	Multiport	5064-7848 (optional)
87222C/D/E	15	Transfer	8120-3308
N1810TL, N1810UL	16	SPDT	NA
N1811TL, N1812UL	16	Bypass	NA

Table 3. Compatible Agilent attenuators

Agilent product number	Table reference	Attenuator family	Cables supplied with attenuator
8494G/H	17	Attenuator	Option 016: 5062-0703 or Option 060: 8120-2178
8495G/H/K	17	Attenuator	Option 016: 5062-0703 or Option 060: 8120-2178
8496G/H	17	Attenuator	Option 016: 5062-0703 or Option 060: 8120-2178
8497K	17	Attenuator	Option 016: 5062-0703 or Option 060: 8120-2178
84904K/L/M	18	Attenuator	11764-60004 (optional)
84905M	18	Attenuator	11764-60004 (optional)
84906K/L	18	Attenuator	11764-60004 (optional)
84907K/L	18	Attenuator	11764-60004 (optional)
84908M	18	Attenuator	11764-60004 (optional)

Configuration Information for Switches

The 11713A attenuator/switch driver configuration tables designed to drive Agilent switches are listed below.

Table 4. 8761B SPDT switch configuration

From 11713A				8761B switch		
		Pin number	Wire color	Device under test (DUT)	RF connector	DC connector
S9	OFF	S9 A = 24 V, B = 0 V	N/A	DUT 1	2 to C connected	DUT1<+> connected to S9A
	ON	S9 A = 0 V, B = 24 V	N/A		1 to C connected	DUT1<-> connected to S9B
S0	OFF	S0 A = 24 V, B = 0 V	N/A	DUT 2	2 to C connected	DUT2<+> connected to S0A
	ON	S0 A = 0 V, B = 24 V	N/A		1 to C connected	DUT2<-> connected to S0B

Table 5. 8762A/B/C/F SPDT switch, 8763A/B/C and 8764A/B/C bypass switch configuration

From 11713A				8762,3,4 A/B/C Switch and 8762F Switch				
		Pin number	Wire color	Device under test (DUT)	RF connector	Solder terminal		
Attenuator X		24 Vdc	1	red	DUT 1 to 4 (shared)		C	
	1	OFF	5	violet	DUT 1	2 to 3 connected, 4 to 5 connected	1	
		ON	6	yellow		1 to 2 connected, 3 to 4 connected	2	
	2	OFF	7	black	DUT 2	2 to 3 connected, 4 to 5 connected	1	
		ON	8	green		1 to 2 connected, 3 to 4 connected	2	
	3	OFF	9	orange	DUT 3	2 to 3 connected, 4 to 5 connected	1	
		ON	10	blue		1 to 2 connected, 3 to 4 connected	2	
	4	OFF	11	brown	DUT 4	2 to 3 connected, 4 to 5 connected	1	
		ON	12	white		1 to 2 connected, 3 to 4 connected	2	
	Attenuator Y		24 Vdc	1	red	DUT 5 to 8 (shared)		C
		5	OFF	5	violet	DUT 5	2 to 3 connected, 4 to 5 connected	1
			ON	6	yellow		1 to 2 connected, 3 to 4 connected	2
6		OFF	7	black	DUT 6	2 to 3 connected, 4 to 5 connected	1	
		ON	8	green		1 to 2 connected, 3 to 4 connected	2	
7		OFF	9	orange	DUT 7	2 to 3 connected, 4 to 5 connected	1	
		ON	10	blue		1 to 2 connected, 3 to 4 connected	2	
8		OFF	11	brown	DUT 8	2 to 3 connected, 4 to 5 connected	1	
		ON	12	white		1 to 2 connected, 3 to 4 connected	2	

Table 6. 8765A/B/C/D/F SPDT switch configuration.

From 11713A				8765A/B/C/D/F switch					
		Pin number	Wire color	Device under test (DUT)	RF connector	Option 024	Wire color Agilent 33314-60006	Option 324	
Attenuator X	1	24 Vdc	1	red	DUT 1 to 4 (shared)		Pin 3 and Pin 4 (+V)	red and orange	Terminal 2 and terminal 3
		OFF	5	violet	DUT 1	2 to C connected	1	black	1
	ON	6	yellow	1 to C connected		5	yellow	4	
	2	OFF	7	black	DUT 2	2 to C connected	1	black	1
		ON	8	green		1 to C connected	5	yellow	4
	3	OFF	9	orange	DUT 3	2 to C connected	1	black	1
		ON	10	blue		1 to C connected	5	yellow	4
	4	OFF	11	brown	DUT 4	2 to C connected	1	black	1
ON		12	white	1 to C connected		5	yellow	4	
Attenuator Y	5	24 Vdc	1	red	DUT 5 to 8 (shared)		Pin 3 and Pin 4 (+V)	red and orange	Terminal 2 and terminal 3
		OFF	5	violet	DUT 5	2 to C connected	1	black	1
	ON	6	yellow	1 to C connected		5	yellow	4	
	6	OFF	7	black	DUT 6	2 to C connected	1	black	1
		ON	8	green		1 to C connected	5	yellow	4
	7	OFF	9	orange	DUT 7	2 to C connected	1	black	1
		ON	10	blue		1 to C connected	5	yellow	4
	8	OFF	11	brown	DUT 8	2 to C connected	1	black	1
		ON	12	white		1 to C connected	5	yellow	4

Table 7. 87104A/B/C multiport switch configuration

From 11713A				87104A/B/C switch				
		Pin number	Wire color	Device under test (DUT)	RF connector	Pin number	Wire color Agilent 8120-1869 and 1253-5524	
Attenuator X		24 Vdc	1	red	DUT 1		1	brown
		Gnd	2	white/brown			15	green
	1	OFF	5	violet		Port 1	3	orange
	2	OFF	7	black		Port 2	5	green
	3	OFF	9	orange		Port 3	7	violet
	4	OFF	11	brown		Port 4	9	white
Attenuator Y		24 Vdc	1	red	DUT 2		1	brown
		Gnd	2	white/brown			15	green
	5	OFF	5	violet		Port 1	3	orange
	6	OFF	7	black		Port 2	5	green
	7	OFF	9	orange		Port 3	7	violet
	8	OFF	11	brown		Port 4	9	white

Table 8. 87204A/B/C multiport switch configuration

From 11713A					87204A/B/C switch					
		Pin number	Wire color	Device under test (DUT)	RF connector	Pin number	Wire color Agilent 8120-1869 and 1253-5524			
Attenuator X		24 Vdc	1	red	DUT 1		1	brown		
		Gnd	2	white/brown			15	green		
	1	OFF	5	violet		Port 1	3	orange		
		ON	6	yellow			4	yellow		
	2	OFF	7	black		Port 2	5	green		
		ON	8	green			6	blue		
	3	OFF	9	orange		Port 3	7	violet		
		ON	10	blue			8	gray		
	4	OFF	11	brown		Port 4	9	white		
		ON	12	white			10	black		
	Attenuator Y		24 Vdc	1		red	DUT 2		1	brown
			Gnd	2		white/brown			15	green
5		OFF	5	violet	Port 1	3		orange		
		ON	6	yellow		4		yellow		
6		OFF	7	black	Port 2	5		green		
		ON	8	green		6		blue		
7		OFF	9	orange	Port 3	7		violet		
		ON	10	blue		8		gray		
8		OFF	11	brown	Port 4	9		white		
		ON	12	white		10		black		

Table 9. 87106A/B/C multiport switch and 87406B matrix switch configuration

From 11713A					87106A/B/C and 87406B switch				
		Pin number	Wire color	Device under test (DUT)	RF connector	Pin number	Wire color Agilent 8120-1869 and 1253-5524		
Attenuator X		24 Vdc	1	red	Shared (port 1 to 4)		1	brown	
		Gnd	2	white/brown			15	green	
	1	OFF	5	violet	DUT 1	Port 1	3	orange	
		2	OFF	7			black	5	green
			OFF	9			orange	7	violet
		4	OFF	11			brown	9	white
Attenuator Y		24 Vdc	1	red	Shared (port 5 to 6)		1	brown	
		Gnd	2	white/brown			15	green	
	5	OFF	5	violet	DUT 1	Port 5	11	brown	
		6	OFF	7			black	13	orange

Note: Need two cables from 11713A in order to drive one 6-port multiport.

Table 10. 87206A/B/C multiport switch and 87606B matrix switch configuration

From 11713A				87206A/B/C and 87606B switch						
		Pin number	Wire color	Device under test (DUT)	RF connector	Pin number	Wire color Agilent 8120-1869 and 1253-5524			
Attenuator X		24 Vdc	1	red	Shared (port 1 to 4)		1	brown		
		Gnd	2	white/brown			15	green		
	1	OFF	5	violet	DUT 1	Port 1	3	orange		
		ON	6	yellow			4	yellow		
	2	OFF	7	black		Port 2	5	green		
		ON	8	green			6	blue		
	3	OFF	9	orange		Port 3	7	violet		
		ON	10	blue			8	gray		
	4	OFF	11	brown		Port 4	9	white		
		ON	12	white			10	black		
	Attenuator Y		24 Vdc	1		red	Shared (port 5 to 6)		1	brown
			Gnd	2		white/brown			15	green
5		OFF	5	violet		DUT 1	Port 5	11	brown	
		ON	6	yellow				12	red	
6		OFF	7	black	Port 6		13	orange		
		ON	8	green			14	yellow		

Note: Need two cables from 11713A in order to drive one 6-port multiport.

Table 11. 8766K, 8767K, 8768K multiport switch configuration

From 11713A				Switch option			Agilent product number				
		Pin number	Wire color	Option 016 DIP pin number Agilent 5062-0703	Option 060 Viking cable Agilent 8120-2178	Wire color	8766K RF connector	8767K RF connector	8768K RF connector		
Attenuator X	1	OFF	5	violet	13	5	violet	Common to 1, the rest OFF	Common to 3, the rest OFF	Common to 4, the rest OFF	
		ON	6	yellow	2	6	yellow				
	2	OFF	7	black	11	7	black	Common to 2, the rest OFF	Common to 1, the rest OFF	Common to 2, the rest OFF	
		ON	8	green	5	8	green				
	3	OFF	9	orange	3	9	orange	Common to 2, the rest OFF	Common to 2, the rest OFF	Common to 3, the rest OFF	
		ON	10	blue	9	10	blue				
	4	OFF	11	brown	4	11	brown	Common to 2, the rest OFF	Common to 2, the rest OFF	Common to 3, the rest OFF	
		ON	12	white	10	12	white				
			24 Vdc	1	red	6	1	red			
								All OFF is Common to 3	All OFF is Common to 4	All OFF is Common to 5	

Table 12. 8769K multiport switch configuration

From 11713A				Switch option			Agilent product number	
				Option 016	Option 060		8769K	
		Pin number	Wire color	DIP pin number Agilent 5061-0958	Viking cable Agilent 5061-0969	Wire color	RF connector	
Attenuator X	1	OFF	5	violet	13	5	violet	
		ON	6	yellow	2	6	yellow	Common to 4, the rest OFF
	2	OFF	7	black	11	7	black	
		ON	8	green	5	8	green	Common to 2, the rest OFF
	3	OFF	9	orange	3	9	orange	
		ON	10	blue	9	10	blue	Common to 3, the rest OFF
	4	OFF	11	brown	4	11	brown	
		ON	12	white	10	12	white	Common to 1, the rest OFF
S9	OFF	4	violet	7	4	grey		
	ON	3	yellow	8	3	white/red	Common to 5, the rest OFF	
Attenuator X/Y	24 Vdc	1	red	6	1	red		
							All OFF is Common to 6	

Table 13. 8767M, 8768M multiport switch configuration (with optional cable 11764-60004)

From 11713A				Agilent product number	
				8767M	8768M
		Pin number	RF connector	RF connector	
Attenuator X	1	OFF	5		
		ON	6	Common to 3, the rest OFF	Common to 4, the rest OFF
	2	OFF	7		
		ON	8	Common to 1, the rest OFF	Common to 2, the rest OFF
	3	OFF	9		
		ON	10	Common to 2, the rest OFF	Common to 3, the rest OFF
	4	OFF	11		
		ON	12		Common to 1, the rest OFF
	24 Vdc	1			
			All OFF is Common to 4	All OFF is Common to 6	

Table 14. 8769M multiport switch configuration (with optional cable 5064-7848)

From 11713A				Agilent product number
				8769M
		Pin number	RF connector	
Attenuator X	1	OFF	5	
		ON	6	Common to 4, the rest OFF
	2	OFF	7	
		ON	8	Common to 2, the rest OFF
	3	OFF	9	
		ON	10	Common to 3, the rest OFF
	4	OFF	11	
		ON	12	Common to 1, the rest OFF
S9	OFF	4		
	ON	3	Common to 5, the rest OFF	
	24 Vdc	1		
				All OFF is Common to 6

Table 15. 87222C/D/E transfer switch configuration

From 11713A				87222C/D/E switch				
		Pin number	Wire color	Device under test (DUT)	RF connector	Pin number	Wire color Agilent 8120-3308	
Attenuator X		24 Vdc	1	red	shared DUT 1 to 4	1	brown	
		Gnd	2	white/brown		9	white	
	1	OFF	5	violet	DUT 1	Drive A (1 to 2, 3 to 4)	3	orange
		ON	6	yellow		Drive B (1 to 4, 2 to 3)	5	green
	2	OFF	7	black	DUT 2	Drive A (1 to 2, 3 to 4)	3	orange
		ON	8	green		Drive B (1 to 4, 2 to 3)	5	green
	3	OFF	9	orange	DUT 3	Drive A (1 to 2, 3 to 4)	3	orange
		ON	10	blue		Drive B (1 to 4, 2 to 3)	5	green
	4	OFF	11	brown	DUT 4	Drive A (1 to 2, 3 to 4)	3	orange
		ON	12	white		Drive B (1 to 4, 2 to 3)	5	green
	Attenuator Y		24 Vdc	1	red	shared DUT 5 to 8	1	brown
			Gnd	2	white/brown		9	white
5		OFF	5	violet	DUT 5	Drive A (1 to 2, 3 to 4)	3	orange
		ON	6	yellow		Drive B (1 to 4, 2 to 3)	5	green
6		OFF	7	black	DUT 6	Drive A (1 to 2, 3 to 4)	3	orange
		ON	8	green		Drive B (1 to 4, 2 to 3)	5	green
7		OFF	9	orange	DUT 7	Drive A (1 to 2, 3 to 4)	3	orange
		ON	10	blue		Drive B (1 to 4, 2 to 3)	5	green
8		OFF	11	brown	DUT 8	Drive A (1 to 2, 3 to 4)	3	orange
		ON	12	white		Drive B (1 to 4, 2 to 3)	5	green

Table 16. N1811TL and N1812UL bypass switch and N1810UL and N1810TL SPDT switch configuration

From 11713A				N1811TL, N1812UL, N1810UL and N1810TL Switch				
		Pin number	Wire color	Device under test (DUT)	Option 201	Option 202		
Attenuator X		24 Vdc	1	red	DUT 1 to 4 (shared)	Pin 5 (+V)	+V	
		1	OFF	5	violet	DUT 1	Pin 4 (A)	A
	ON		6	yellow	Pin 3 (B)		B	
	2	OFF	7	black	DUT 2	Pin 4 (A)	A	
		ON	8	green		Pin 3 (B)	B	
	3	OFF	9	orange	DUT 3	Pin 4 (A)	A	
		ON	10	blue		Pin 3 (B)	B	
	4	OFF	11	brown	DUT 4	Pin 4 (A)	A	
		ON	12	white		Pin 3 (B)	B	
	Attenuator Y		24 Vdc	1	red	DUT 5 to 8 (shared)	Pin 5 (+V)	+V
			5	OFF	5	violet	DUT 5	Pin 4 (A)
		ON		6	yellow	Pin 3 (B)		B
6		OFF	7	black	DUT 6	Pin 4 (A)	A	
		ON	8	green		Pin 3 (B)	B	
7		OFF	9	orange	DUT 7	Pin 4 (A)	A	
		ON	10	blue		Pin 3 (B)	B	
8		OFF	11	brown	DUT 8	Pin 4 (A)	A	
		ON	12	white		Pin 3 (B)	B	

Configuration Information for Attenuators

The 11713A attenuator/switch driver configuration tables designed to drive Agilent Technologies attenuators are listed below.

Table 17. 8494G/H and 8495G/H/K and 8496G/H and 8497K attenuator configuration

From 11713A				Attenuator option			Agilent product number						
				Option 016	Option 060		8494G/H	8495G/H	8496G/H	8495K	8497K		
				DIP pin number Agilent 5062-0703	Viking cable Agilent 8120-2178	Wire color	Attenuation						
		Pin number	Wire color										
Attenuator X	1	OFF	5	violet	13	5	violet	0 dB	0 dB	0 dB	0 dB	0 dB	
		ON	6	yellow	2	6	yellow	1 dB	10 dB	10 dB	10 dB	10 dB	
	2	OFF	7	black	11	7	black	0 dB	0 dB	0 dB	0 dB	0 dB	
		ON	8	green	5	8	green	2 dB	20 dB	20 dB	20 dB	20 dB	
	3	OFF	9	orange	3	9	orange	0 dB	0 dB	0 dB	0 dB	0 dB	
		ON	10	blue	9	10	blue	4 dB	40 dB	40 dB	20 dB	30 dB	
	4	OFF	11	brown	4	11	brown	0 dB	—	0 dB	0 dB	0 dB	
		ON	12	white	10	12	white	4 dB	—	40 dB	20 dB	30 dB	
			24 Vdc	1	red	6	1	red	—	—	—	—	—

Table 18. 84904K/L/M and 84905M and 84906K/L and 84907K/L, and 84908M attenuator configuration (with optional cable 11764-60004)

From 11713A				Agilent product number						
				84904K/L/M	84905M	84906K/L	84907K/L	84908M		
				Viking cable Agilent 11764-60004 (optional)	Attenuation					
		Pin number								
Attenuator X	1	OFF	5	5	0 dB	0 dB	0 dB	0 dB	0 dB	
		ON	6	6	1 dB	10 dB	10 dB	10 dB	5 dB	
	2	OFF	7	7	0 dB	0 dB	0 dB	0 dB	0 dB	
		ON	8	8	2 dB	20 dB	20 dB	20 dB	10 dB	
	3	OFF	9	9	0 dB	0 dB	0 dB	0 dB	0 dB	
		ON	10	10	4 dB	30 dB	30 dB	40 dB	20 dB	
	4	OFF	11	11	0 dB	—	0 dB	—	0 dB	
		ON	12	12	4 dB	—	30 dB	—	30 dB	
			24 Vdc	1	1	—	—	—	—	—

Web Resources

For more information about Agilent's RF and microwave test accessories, visit:

www.agilent.com/find/mta

For additional information about Agilent's service and support products, visit:

www.agilent.com/find/tm_services



Agilent Email Updates

www.agilent.com/find/emailupdates

Get the latest information on the products and applications you select.



Agilent Direct

www.agilent.com/find/agilentdirect

Quickly choose and use your test equipment solutions with confidence.



Agilent Open

www.agilent.com/find/open

Agilent Open simplifies the process of connecting and programming test systems to help engineers design, validate and manufacture electronic products. Agilent offers open connectivity for a broad range of system-ready instruments, open industry software, PC-standard I/O and global support, which are combined to more easily integrate test system development.

www.agilent.com

Agilent Technologies' Test and Measurement Support, Services, and Assistance

Agilent Technologies aims to maximize the value you receive, while minimizing your risk and problems. We strive to ensure that you get the test and measurement capabilities you paid for and obtain the support you need. Our extensive support resources and services can help you choose the right Agilent products for your applications and apply them successfully. Every instrument and system we sell has a global warranty. Two concepts underlie Agilent's overall support policy: "Our Promise" and "Your Advantage."

Our Promise

Our Promise means your Agilent test and measurement equipment will meet its advertised performance and functionality. When you are choosing new equipment, we will help you with product information, including realistic performance specifications and practical recommendations from experienced test engineers. When you receive your new Agilent equipment, we can help verify that it works properly and help with initial product operation.

Your Advantage

Your Advantage means that Agilent offers a wide range of additional expert test and measurement services, which you can purchase according to your unique technical and business needs. Solve problems efficiently and gain a competitive edge by contracting with us for calibration, extra-cost upgrades, out-of-warranty repairs, and onsite education and training, as well as design, system integration, project management, and other professional engineering services. Experienced Agilent engineers and technicians worldwide can help you maximize your productivity, optimize the return on investment of your Agilent instruments and systems, and obtain dependable measurement accuracy for the life of those products.

United States:

(tel) 800 829 4444

(fax) 800 829 4433

Canada:

(tel) 877 894 4414

(fax) 800 746 4866

China:

(tel) 800 810 0189

(fax) 800 820 2816

Europe:

(tel) 31 20 547 2111

Japan:

(tel) (81) 426 56 7832

(fax) (81) 426 56 7840

Korea:

(tel) (080) 769 0800

(fax) (080) 769 0900

Latin America:

(tel) (305) 269 7500

Taiwan:

(tel) 0800 047 866

(fax) 0800 286 331

Other Asia Pacific

Countries:

(tel) (65) 6375 8100

(fax) (65) 6755 0042

Email: tm_ap@agilent.com

Contacts revised: 09/26/05

For more information on Agilent Technologies' products, applications or services, please contact your local Agilent office. The complete list is available at:

www.agilent.com/find/contactus

Product specifications and descriptions in this document subject to change without notice.

© Agilent Technologies, Inc. 2005

Printed in USA, October 27, 2005

5989-3703EN



Agilent Technologies